

Instruction for Use

Trade Name: Head Extension

Warning

When using operating table accessories, always pay close attention to the patient. Patients left in the same posture for an extended period of time are at risk for developing bedsores.

Contraindication/Prohibition

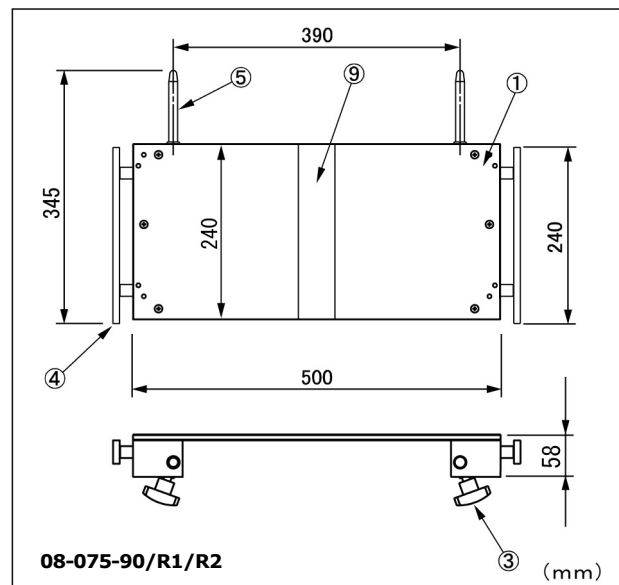
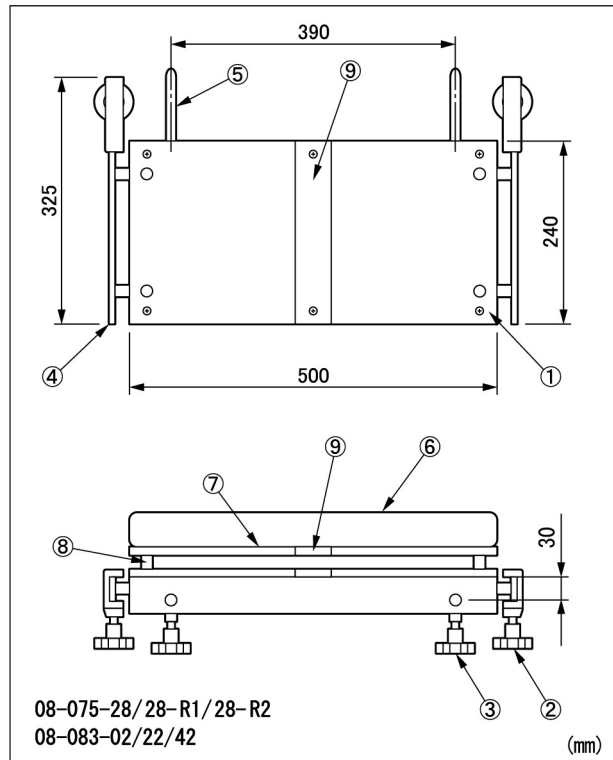
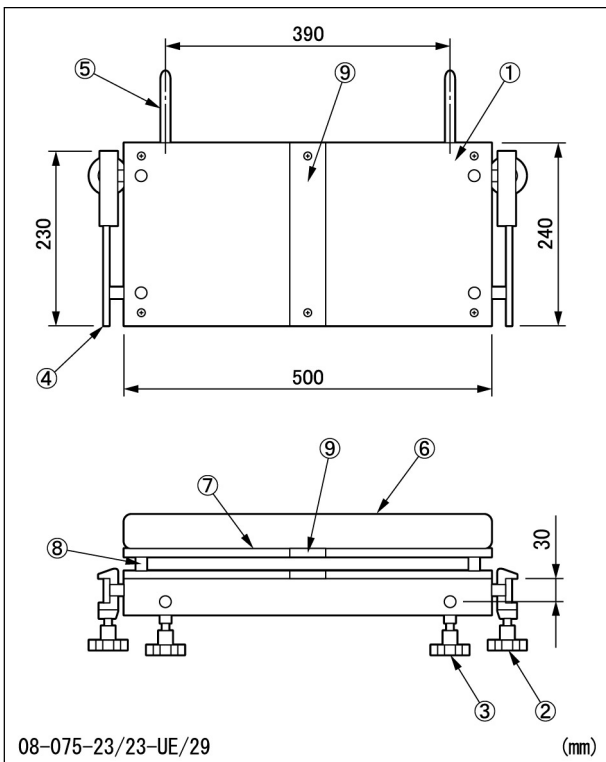
1. This product is only validated for use with Mizuho operating tables.
2. Use only on the models listed in Instructions for use, 2. Applicable models. Compatibility with any other models is not tested.

Symbol mark for labeling

MD : Medical Device

Specifications

1. Shape



Code No.	Product Description	Compon ents	Wei ghts
08-075-23	Radiographic Top for Head Extension *1	⑦⑧⑨	1.3 kg
08-075-23-UE	Radiographic Top for Head Extension (UE) *2	⑦⑧⑨	1.3 kg
08-075-28	Head Extension for 5701	①②③④⑤ ⑨	7.0 kg
08-075-28-R1	Head Extension (R1) *3	①②③④⑤ ⑨	7.0 kg
08-075-28-R2	Head Extension (R2) *4	①②③④⑤ ⑨	7.0 kg

08-075-29	70 mm Pad for Head Extension	⑥	0.6 kg
08-075-90	Head Extension II	①③④⑤⑨	4.2 kg
08-075-90-R1	Head Extension II (R1)	①③④⑤⑨	4.2 kg
08-075-90-R2	Head Extension II (R2)	①③④⑤⑨	4.2 kg
08-083-02	Radiographic Table Tops Fixed Type for Head Extension (240mm)	⑦⑧⑨	1.5 kg
08-083-22	Digital Radiographic Table Tops Fixed Type for Head Extension (240mm)	⑦⑧⑨	1.5 kg
08-083-42	Phenolic Board for Radiographic and Digital Radiographic Table Tops Fixed Type for Head Extension (240mm)	①	1.3 kg

- *1 Height: 37mm
- *2 Height: 46mm
- *3 & *4 Needs to be selected depending on the rail length.

2. Material

- ① Headrest board: Thermosetting resin laminated board
- ② Clamping handle: Stainless steel rod
- ③ Headrest clamping handle: Stainless steel rod
- ④ Side rail: Stainless steel rod
- ⑤ Insertion shaft: Stainless steel rod
- ⑥ Pad: Urethane
- ⑦ Radiographic top: Thermosetting resin laminated board
- ⑧ Prop: Stainless steel rod
- ⑨ Hook-and-loop fastener: Nylon

Note: Reference numbers are corresponding to that indicated in appearance diagram shown in 1. Shape.

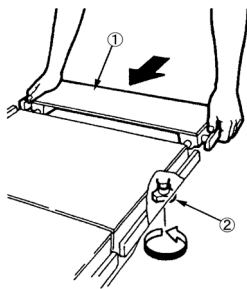
Intended purpose

This is an accessory to an operating table. This tool is to be attached to the back board of an operating table to extend the table top length.

Intended user

This product is to be used by health care professionals, including but not limited to surgeons, nurses and biomedical technicians.

Instructions for use



1. How to attach Headrest
 1. Insert the insertion shafts of the head extension① into the insertion holes on the back board of an operating table.
 2. Tighten the clamping handle② to secure the headrest.
2. Applicable models
 - MOT-5701
 - MOT-3602
 - MOT-6702
 - MOT-5602BW
 - MOT-VS700
 - MOT-VS600
 - MOT-VS500
 - MOT-VE100
 - MST-7300B/BX
 - MOT-1602BW
 - MOT-3502
 - MOT-6302

Warning / Caution

1. Warning
 - Ensure all fastener component are tight. Failure to do so may result in a patient injury.
2. Important caution
 - 2-1. When working with an operating table, take care not to allow this product to make contact or interfere with the table top or with other operating table accessories used in combination with this product.
 - 2-2 For hygiene, be sure to use sterilized drapes on the areas on this product where the patient comes into contact with it.

Storage / Life

1. Do not store the device in high temperatures or in areas with high humidity where the temperature has drastic variations.
2. Service life of this product: 7 years
(subject to the specified maintenance and inspection and is stored properly)

Maintenance / Inspection

<By the user>

1. Inspection before and after use
 - Check that this product is not damaged or broken before and after use.
2. Cleaning and disinfection
 - Wipe off blood, chemicals, contaminants, and other stains with water, and clean the device with gauze or other material moistened with alcohol to disinfect.
3. In case of a malfunction
 - If you need to have this product repaired, clearly label the device as "Broken", "Need repair" etc. and contact your local dealer or Mizuho.

<By agents>

Maintenance and inspection can only be carried out by certified agents of Mizuho.

Packing

1 piece per pack

Warranty

MIZUHO Corporation will repair defective parts of this product without charge for one year from the date of delivery/installment except for cases of damage caused by a third party's repair, act of nature, improper use or damage on purpose. All other warranty terms and conditions are subject to regulations of MIZUHO Corporation.

Disposal

This device must be disposed of in accordance with local regulations. Please contact your local distributor for proper disposal.

Notice

Any serious adverse incident that has occurred in relation to the device should be reported to the manufacturer and the competent authority in which user and / or patient is established.

Manufacturer



MIZUHO Corporation
3-30-13 Hongo, Bunkyo-ku, Tokyo 113-0033, Japan
<http://www.mizuho.co.jp>

European authorized representative



Emergo Europe B.V.
Prinsessegracht 20, 2514 AP, The Hague
The Netherlands